


# Banta BLADE ADAPTERS & ACCESSORIES

## UNIVERSAL (BLADE BOLTS) BLADE BUSHINGS - Universal

Part#	OEM#	Size
<b>410-001</b>	Noma# 39573	3/8"-24 X 1"
<b>410-019</b>	Noma#181639	3/8"-24 X 1-1/4"
<b>410-027</b>	Noma# 181643 MTS# 710-0459	3/8"-24 X 1-1/2"
<b>410-035</b>	Noma#181646	3/8"-24 X 1-3/4"
<b>410-043</b>	Snapper# 9-0167	3/8"-24 X 2"
<b>410-050</b>	-----	3/8"-24 X 2-1/4"
<b>410-068</b>	-----	3/8"-24 X 2-1/2"



BLADE BOLTS - (Sold in multiples of 10)

## BLADE BUSHINGS - Universal

Part#	ID	OD	Thick
410-274	3/8"	5/8"	.125"
410-209	3/8"	1"	.146"
410-217	7/16"	1"	.146"
410-225	1/2"	1"	.146"
410-233	9/16"	1"	.146"
410-241	5/8"	1"	.146"

Part#	ID	OD	Thick
410-308	5/8"	1"	.250"
410-294	5/8"	1-1/2"	.250"
410-258	3/4"	1"	.125"
410-266	7/8"	1"	.125"

## BLADE RIVETS - Universal

<b>410-910</b>	3/16"	5/16"
----------------	-------	-------

## BLADE WASHERS - Universal

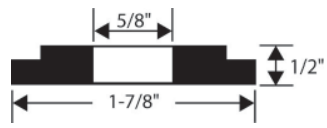
Part#	ID	OD	Type
410-407	3/8"	2-1/4"	Fibre
410-456	3/8"	3"	Fibre
410-605	3/8"	2-1/4"	Steel
410-613	3/8"	3"	Steel
410-803	3/8"	1-1/2"	Steel

Cupped serrated steel washer. Made of heavy spring steel

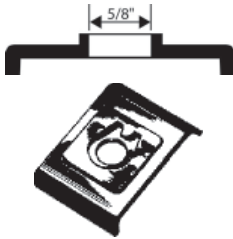



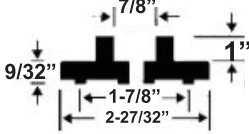

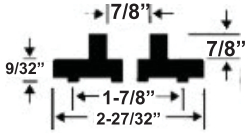

BLADE WASHER - (Sold in multiples of 10)

## AYP - Roper / Sears

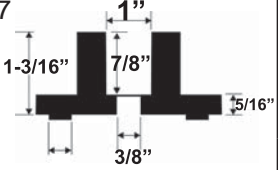
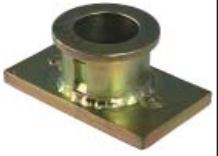
Part#	OEM#	Application
<b>405-282</b>	1044R	Blade clutch washer / hub



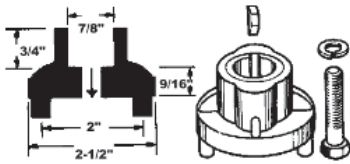
## AYP - Roper / Sears

Part#	O.E.M	Application
<b>405-191</b>	84918 / 69226 87712 / 80104 49226 752236X004 87711X004	
	Blade hub for older Sears mowers. Fits 20" and 22" blades with 5/8" centre holes.	
<b>410-086</b>	165484	
	<b>Blade Bolt</b> Fits our 285-365 AYP spindle assembly and our 285-237 spindle shaft assembly. 3/8"-24 X 1-1/4" Left hand thread	
<b>410-088</b>		
	<b>Blade Bolt with Washer</b> Fits our 285-415 and 285-426 AYP quill / spindle assemblies; as well as our 285-242 and 285-230 AYP spindle shaft assemblies. 7/16" Right hand thread	
<b>416-729</b>	129729 137266 Husqvarna 532129729 Husqvarna 532137266	
	<b>Lock Nut</b> Fits our 285-231 & 285-234 spindle shaft assemblies. 1-1/4" OD built-in washer X 3/4" HT 9/16"-18 thread	
<b>405-752</b>	850977 Husky# 532 85 09-77	
	Fits models: 1B101C, 3H302C, 2A271D and 2033A59. For 20" & 22" walk behind mowers, also found on Noma, Sears, Husqvarna and Poulan models.	
<b>405-753</b>	851514 Built-in keyway	
	Fits models: 4H472C, WE9656RD,3M402A,44W4B2A & YSC7K402C. For 22" self - propelled mowers, also found on Noma / Canadiana, Sears, Husqvarna and Poulan Pro. Built-in keyway	


## AYP - Roper / Sears

Part#	O.E.M	Application
<b>405-754</b>	184590 / 193707 532-184590 532-193707 420097	
	<b>Blade Adaptor</b> Steel. Fits AYP / Husqvarna / Poulan Pro mowers. Fits walk behind mowers built since 2005. Size: 1" ID X 7/8" Deep, Overall HT: 1-3/16", (2) 3/8" diameter raised bosses on 1-7/8" centers. NOTE: The center hole area is not raised like our 405-752 and 405-753 blade hubs. Built-in keyway	



## BOBCAT

<b>400-275</b>	71002B	
	Replaces Bobcat & Sensation blade adapter, #2 blade clutch assembly Used on 3-1/2 & 4 Hp engines. Lowers blade 9/16". 5/32" keyway	


## CUB CADET

<b>410-122</b>	71004226	
	<b>Blade Bolt</b> For Cub Cadet. Fits LT 1000 series riders and Cub Cadet 618-04123B spindle assembly. For 38", 42", 46" and 50" decks. Size: 3/4" - 16 X 5.85"	

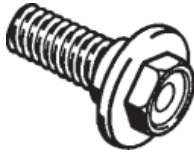
## EXMARK

<b>410-130</b> NEW	32166	
	<b>Blade Bolt</b> For Exmark. Fits Triton blades. Size: 1/2-20 X 2-3/4" Length. (Grade 8 bolt)	
<b>410-132</b> NEW	32135	
	<b>Blade Bolt</b> For Exmark. Size: 1/2-20 X 2" Length. (Grade 8 bolt)	


## KUBOTA

Part#	O.E.M	Application
<b>410-134</b> NEW	1031026	
<b>Blade Bolt</b> For Exmark. Fits Triton blades. Size: 5/8-11 X 1" Length. (Grade 8 bolt)		

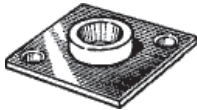
## HONDA


<b>410-080</b>	90105-960-710 (code# 1663665)	
<b>Hex Flange Bolt</b> Fits 21" Honda mower models: HR214 thru Hr216, HRA214 thru HRA216, HRC215, HRC216, HRM215, HRB215 and HRS21. M10 X 1.25 X 20mm long. (Sold in multiples of 10)		

## KUBOTA

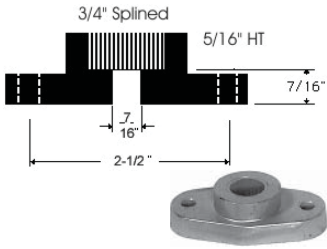
<b>410-090</b>	76539-34372	
<b>Blade Bolt.</b> Blade locking bolt for Kubota. Fits 19.5 mm center hole blades including deck models: RC-54-G20, RC-54-F20, RC-60-21B, RC-60-G20, RC-60-FZ21, RCK-24B, RC-72-F30. Size: Shoulder 19.5 mm. Length: 32 mm. Allen head recess 14 mm.		

## LAWN BOY



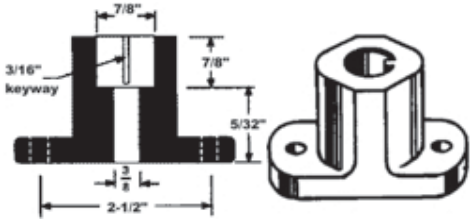

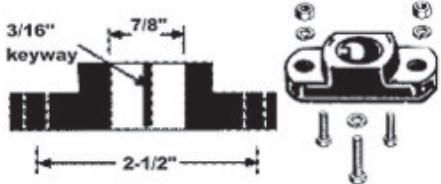
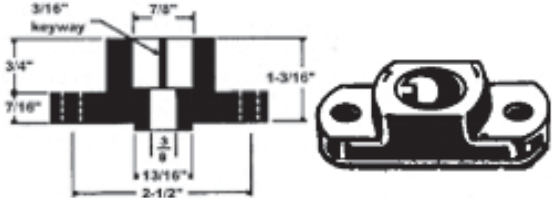
<b>405-183</b>	677525	
<b>Blade hub</b> Also replaces John Deere # PT7159. Size: 7/8" top ID X 15/32" deep, Side holes 3/8", Centre to Centre = 2-9/16", Plate size: 2-3/4" X 2-1/2"		

<b>416-750</b>	603164	
<b>Blade Nut</b> For push & self propelled mowers. (replaces MTD # 712-0318) (Sold in multiples of 5)		

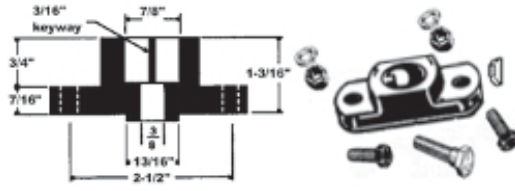
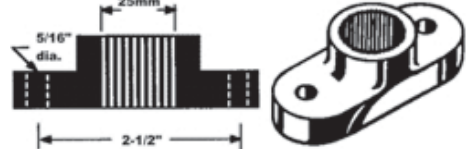
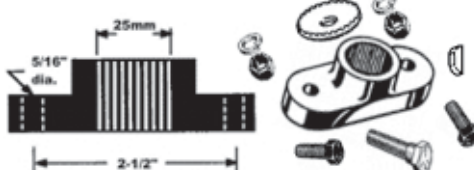
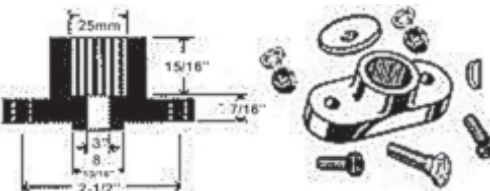
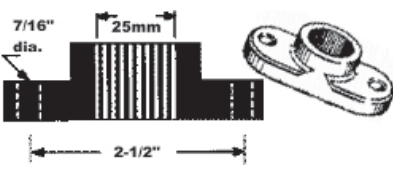
## MTD

<b>405-005</b>	753-0210 748-0235 748-0283	
Fits 30" rear engine riders with 796 deck. Splined for Riding mowers. 5/16" diameter side holes. 7/8" high X 3-5/16" long		

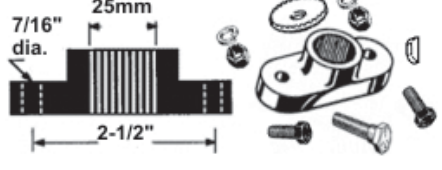
## MTD continued

Part#	O.E.M	Application
<b>405-308</b>	748-0189	
5/32" keyway 5/16" side holes		
<b>400-085</b>	10769	
5/32" keyway 5/16" side holes		
<b>405-466</b>	Hub only	
3/16" built-in keyway keyed for push mowers 5/16" diameter side holes		
<b>405-317</b>	748-0293 Adapter only (assy below)	
3/16" built-in keyway keyed adapter for 38" decks 5/16" diameter side holes		
<b>400-317</b>	753-0343B	
3/16" built-in keyway keyed adapter for 38" decks 5/16" diameter side holes		
<b>405-473</b>	748-0323 / 948-0323	
Fits MTD push mowers 1986 thru 1996. Push mower series: 010, 020, 030, 040, 050, 060, 070 and 080; Self propelled series: 090, 100, 200, 300, 400, 00, 700 and 800. 3/16" built-in keyway 3/8" diameter side holes		

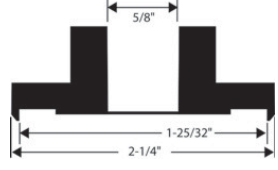

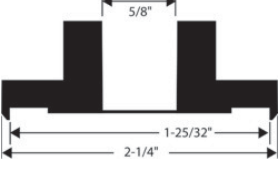

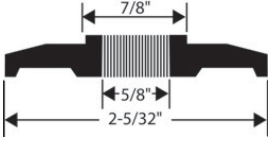
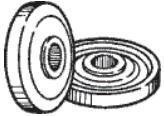
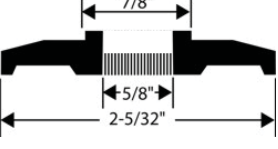
## MURRAY continued

Part#	O.E.M	Application
<b>400-473</b>	753-0484	 <p>Fits 1986 thru 1996. Push mower series 010, 020, 030, 040, 050, 060, 070, 080. Self propelled series 090, 100, 200, 300, 400, 500, 700, 800. For 20", 21" &amp; 22" mowers. 3/16" built-in keyway 3/8" diameter side holes</p>
<b>405-465</b>	748-0300	 <p>Fits 1985 thru 1988 Rider mowers - series 300, 400, 500, 600, 700, 800. Splined for Riding mowers. 5/16" diameter side holes. 7/8" high X 3-5/16" long</p>
<b>400-465</b>	753-0583	 <p>Fits 1985 thru 1988 Rider mowers - series 300, 400, 500, 600, 700, 800. Splined Adapter 3/8" diameter side holes. 1-3/8" high X 3-1/4" long</p>
<b>400-467</b>	753-0485	 <p>Fits 1989 thru 1992 Push mower - series 07, 080, 090. Self propelled series 100, 200, 400, 500, 700, 800. Splined Adapter 3/8" diameter side holes. 1-3/8" high X 3-1/4" long</p>
<b>405-468</b>	748-0365 / 948-0365	 <p>Fits 1994 thru 1996. Used with mulching blades 335-790 and 335-782. For 38" and 42" mulching kits. Splined for Riding mowers. 7/16" diameter side holes. 7/8" high X 3-5/16" long</p>

## NOMA- AMF /Canadiana /Dynamark

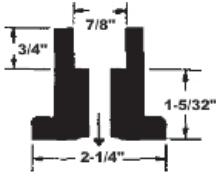

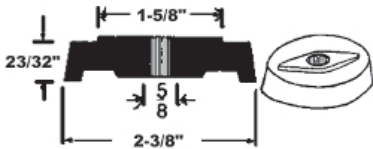

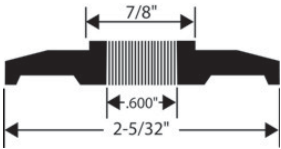




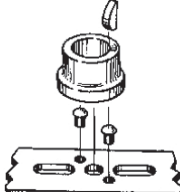
Part#	O.E.M	Application
<b>400-468</b>	Same as above with hardware	 <p>Fits 1994 thru 1996. Used with mulching blades 335-790 and 335-782. For 38" and 42" mulching kits. Splined for Riding mowers. 7/16" diameter side holes. 7/8" high X 3-5/16" long</p>

## MURRAY






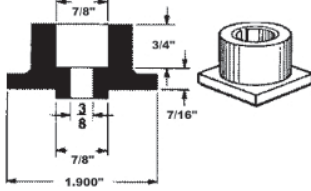
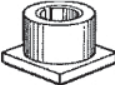
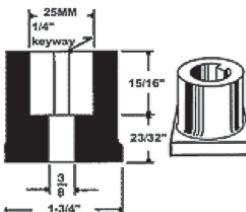

<b>405-217</b>	20617 24211	 <p>5/32" keyway</p>	
<b>400-217</b>	54211	 <p>Fits all riding mowers with double "D" centre holes blades. 5/32" keyway</p>	
<b>405-399</b>	491926 92466 / 91926	 <p>Used on blades with round centre hole on riding mower and lawn tractor - 1990 to present. Model 30534X1A . 5/8" Splined</p>	
<b>405-400</b>	56258	 <p>Used on 38" and 40" mulching kits. 5/8" Splined, half way down</p>	

# Banta BLADE ADAPTERS & ACCESSORIES

## MURRAY continued

Part#	O.E.M	Application
<b>400-382</b>	400272 / 442735 442346 / 20051 42735	  <p>For 21" &amp; 22" walk behind models, 821853, 821861, 821951, 821981 &amp; 822651, uses 2-1/4" blade belt. Fits self propelled and rear bagger walk behind models. 1985 tp present except rear discharge models. 5/32" keyway</p>
<b>405-464</b>	90891	  <p>Fits 40" cut mowers with rear discharge. 5/8" Splined (While Quantities Lasts)</p>
<b>405-204</b>	690411	  <p>Fits 42", 46" and 52" rail deck frames. .600" Splined 1-15/16" OD</p>
<b>235-127</b>	Murray# 15X72	 <p>Universal hex nut for riding mowers. 3/8"-16 thread (Sold in multiples of 10)</p>
<b>416-719</b>	Murray# 15X100	 <p>Jackshaft hex nut for riding mowers. 1/2"-20 UNF thread (Sold in multiples of 5)</p>
<b>285-183</b>		 <p>Jackshaft hex nut for riding mowers. 9/16"-18 UNF thread (Sold in multiples of 5)</p>
<b>NOMA - AMF / Canadiana / Dynamark</b>		
<b>405-000</b>		 <p>Found on many standard and mulching blades utilizing the 2-riev shear pin system. Uses our 410-910 shear pins. 7/8" shaft diameter 3/4" hole depth 1-1/8" OD</p>

## PARTNER

Part#	O.E.M	Application
<b>405-023</b>	E-515-13-10-64	 <p>Fits HVA and Partner with 7/8" shaft. 7/8" Top ID, 13/32" Bottom ID, 1-1/4" Top OD, 2-29/32" Bottom OD 1-5/16" HT</p>
<b>405-024</b>	E-516-84-20-00	 <p>63/64" Top ID, 13/32" Bottom ID, 1-23/64" Top OD, 2-29/32" Bottom OD, 1-25/64" HT</p>
<b>405-025</b>	E-506-53-41-01	 <p>Fits HVA Riders models #850- 970. 1/4" keyway, 13/16" ID (20mm ID) 1-25/32" Top OD (wide) 3" Bottom OD (long) 5/8" HT or 43/64" HT (including rivets)</p>
<b>405-026</b>	E-506-53-35-01	 <p><b>Adapter Key</b> Fits HVA Riders models #850-970. 1/4" diameter</p>
<b>410-127</b>	E-506-67-54-01	 <p><b>Blade Bolt</b> Fits HVA 850 Riders, with locking. 55/64" Top OD 1-11/32" Long</p>
Roper and Sears - See AYP - Roper / Sears		
<b>SNAPPER</b>		
<b>405-225</b>	1-2180	  <p>Also fits MTD high wheel 22" walk behind mowers. 5/32" keyway (While Quantities Last)</p>
<b>405-475</b>	1-5626	  <p>Fits walk behind mowers with Wisconsin Robin engines. 1/4" built in keyway (While Quantities Last)</p>

