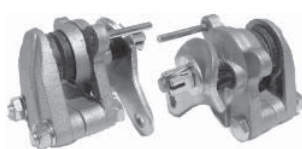


**BRAKE PARTS**

Part#	O.E.M	Application
-------	-------	-------------


**260-109** Monaco 3759  
Universal Application

**Disc Brake Assembly**  
Found on many Lawnmowers, can be used on Mini-Bikes, Go-Carts & Snowmobiles.  
NOTE: Front and Back images shown - (1) assembly only




**260-125** Flat-end type  
Universal

**Brake Pads**  
Replacement brake pads found in our 260-109 disc brake assembly. Large pad measures: 1-1/16" dia. X 1/2" thick, Small pad measures: 1-1/16" dia. X 9/32" thick. (Priced and sold in pairs)



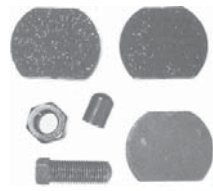
**260-308** Monaco 9597  
Universal Application

**Disc Brake Assembly**  
Fit Manco Go-Carts. Also replaces Airheart MB-1. This assembly can also be used in many other application > Go-Cart, Mini Bikes etc. Use our 260-307 replacement brake caliper rebuild kit.  
NOTE: Front and Back images shown - (1) assembly only



**260-307** Manco Rebuild Kit

**Rebuild Kit for Brake Caliper**  
Kit includes:  
(2) friction pads, (1) load shoe, (1) adjusting screw, (1) adjusting nut and (1) plunger.



**260-610** Murray 776938  
Comet 218198C

**Brake Pads**  
Replacement brake pads found on our 260-308 Manco Disc Brake Caliper. Pad measure: 1-5/8" OD X 11/32" Thick. (D-shape) Fits on MURRAY Go-Carts (Priced and sold in pairs) (While Quantities Last)



**260-117** Round type  
Universal

**Brake Pads**  
Replacement brake pads found on many disc brake assemblies. Measurements are the same as our 260-125 above. (Priced and sold in pairs)




**BRAKE PARTS continued**

Part#	O.E.M	Application
-------	-------	-------------


**260-141** Universal

**Brake Drum**  
4" steel brake drum has the popular industrial pattern and universal mounting holes 5/16" and 3/8". Measures: 2" ID X 3-31/32" OD X 1" HT




**260-135** Monaco 1492

**Brake Band and Pin**  
Use with our 260-141 Brake Drum assembly. Fits Manco. Size: 4" diameter.



**260-190** Fox and Rupp  
Universal

**Brake Cable**  
Fits FOX and RUPP front wheels. Inner cable measures: 34" Outer casing measures: 30". Comes complete with U-clamp and spring.




**260-208** Universal

**Brake Cable**  
For use on Mini-Bikes, Go-Carts etc. equipped with disc brakes. Comes complete with spring and U-Clamp. Cable measures 56" in length.



**260-216** Universal

**Brake Cable**  
This is a universal brake cable which has a 65" inner cable and a 60" outer casing. Heavy duty long wear with a barrel on one end.




For Go-Cart / Mini Bike Clutches and Comet Torque Converter see our "CLUTCHES" section (pages 18-01 thru 18-03)



**CLUTCH COLLARS**


**255-208** MTD 711-0169

Size: 5/8" ID X 1" OD X 9/16" HT (priced & sold as a pair)








**255-216** Universal

Size: 3/4" ID X 1-1/4" OD X 1/2" HT (priced individually)





DRIVE SPROCKETS



Part#	Application
<b>260-083</b> Drive Sprocket Chain size: #35, Teeth: 12, Bore: 5/8", OD: 1-5/8", Keyway: 3/16"	
<b>260-047</b> Drive Sprocket Chain size: #35, Teeth: 16, Bore: 5/8", OD: 2-1/8", Keyway: 3/16"	
<b>260-091</b> Drive Sprocket Chain size: #41, Teeth: 10, Bore: 5/8", OD: 1-5/8", Keyway: 3/16"	
<b>260-098</b> Drive Sprocket Chain size: #40/#41, Teeth: 10, Bore: 3/4", OD: 1-1/4", Keyway: 3/16"	
<b>260-100</b> Drive Sprocket Chain size: #40/#41, Teeth: 14, Bore: 3/4", OD: 2-1/2", Keyway: 3/16"	

For other Drive Sprockets - see our "DRIVE PARTS" section.

STEEL PLATE SPROCKETS- UNIVERSAL

<b>260-042</b> Universal Steel Plate Sprocket Measures: 2-1/8" ID X 7-3/8" OD, 8 bolt holes, 4 bolt pattern with 2" and 2-1/2" centre to centre. Teeth #: 60, Chain size: #35	
<b>260-059</b> Universal Steel Sprocket Plate Measures: 2" ID X 8-3/4" OD, 4 bolt hole industrial pattern with mounting holes 2" apart. Teeth #: 72, Chain size: #35	

STEEL PLATE SPROCKETS

Part#	Application
<b>260-075</b> Universal Steel Plate Sprocket Measures: 2-1/8" ID X 8-7/8" OD 4 bolt pattern with (4) 5/16" and (4) 3/8" bolt holes, 2" and 2-1/2" centre to centre Teeth #: 54, Chain size: #41	
<b>260-052</b> Universal Steel Plate Sprocket Measures: 2-1/8" ID X 9-13/16" OD, 4 bolt pattern with (4) 5/16" and (4) 3/8" bolt holes, 2" and 2-1/2" centre to centre Teeth #: 60, Chain size: #41	


ROLLER CHAIN - 10 FT

Part#	Chain Size	Dimension
<b>250-000</b>	#25	1/4" X 1/8"
<b>250-001</b>	#35	3/8" X 3/16"
<b>250-019</b>	#40	1/2" X 5/16"
<b>250-027</b>	#41	1/2" X 1/4"
<b>250-011</b>	#42	1/2" X 3/16"
<b>250-035</b>	#43 / #65	1/2" X 1/8"
<b>250-043</b>	#50	5/8" X 3/8"
<b>25-050</b>	#60	3/4" X 1/2"
<b>250-010</b>	#420 (version of #40, heavy duty)	1/2" X 5/16"





CONNECTING LINKS

Part#	Chain size
<b>250-187</b>	#25
<b>250-084</b>	#35
<b>250-092</b>	#40
<b>250-100</b>	#41
<b>250-192</b>	#42
<b>250-118</b>	#43 / #65
<b>250-126</b>	#50
<b>250-134</b>	#60
<b>250-193</b>	#420



(Sold in multiples of 10)

OFFSET LINKS




Part#	Chain Size	
Part#	Chain size	
250-125	#25	
250-142	#35	
250-159	#40	
250-167	#41	
250-179	#42	
250-175	#43 / #65	
250-183	#50	
250-191	#60	
250-181	#420	

KEY STOCK



Part#	OEM#	Size	Length
260-000	Key Stock	3/16"	(Sold in 12" Lengths)
260-018	Key Stock	1/4"	(Sold in 12" Lengths)
260-026	Key Stock	5/16"	(Sold in 12" Lengths)
260-034	Key Stock	3/8"	(Sold in 12" Lengths)





Twist Grip Set & Cables

<p><b>260-224</b> Twist Grip Set</p> <p>Fits 7/8" tube handle. Deluxe throttle controls that come complete with twist grip and dummy grip. (Metal)</p>	
<p><b>260-228</b> Twist Grip Set</p> <p>Fits 1" tube handle. Deluxe throttle controls that come complete with twist grip and dummy grip. (Metal)</p>	
<p><b>260-166</b></p> <p><b>Throttle Cable</b> Inner wire: 56" X Outer conduit: 48" X Condit size: 3/16". Ball at one end / barrel at the other.</p>	

Twist Grip Set & Cables

Part#	O.E.M	Application
<p><b>260-174</b></p> <p><b>Throttle Cable</b> Inner wire: 65" X Outer conduit: 60" X Condit size: 3/16". Ball at one end / barrel at the other.</p>		
<p><b>260-182</b></p> <p><b>Throttle Cable</b> Inner wire: 100" X Outer conduit: 90" X Condit size: 3/16". Ball at one end / barrel at the other.</p>		

Kill Button / Kill Switch

<p><b>430-070</b> Kill Button</p> <p>Comes complete with 42" of wire. Will fit all 7/8" and 1" tube handles. Can be used on Lawn &amp; Garden equipment as well as Mini-Bikes, Go-Carts etc.</p>	
<p><b>430-066</b> Deluxe Kill Switch</p> <p>Used on Go-Carts and ATV's. Comes with a 48" lead wire and (2) metal clamps with screw.</p>	

Torque Converter Belts


<p><b>875-200393</b> Comet 200393 NEW Comet 200393A Manco 1154</p> <p><b>Cogged belt</b> Fits Torque Converters found on Mini-Bikes, Go-Carts etc. Measures: 5/8" W X 27-3/8" L</p>	
<p><b>875-203589</b> Comet 203578A NEW Comet 203589A Manco 5959</p> <p><b>Cogged belt</b> Fits Torque Converters found on Mini-Bikes, Go-Carts etc. Measures: 3/4" W X 27-3/8" L</p>	
<p><b>875-203590</b> Comet 203590A NEW Manco 6959 Manco 9655</p> <p><b>Torque Convert Belt</b> Fits Torque Converters found on Mini-Bikes, Go-Carts etc. Measures: 3/4" W X 28.32" L</p>	

## Torque Converter Belts

Part#	O.E.M	Application
<b>875-203580</b> NEW	Comet 203580A Manco 4292	
<p><b>Torque Convert Belt.</b> Fits Torque Converters found on Mini-Bikes, Go-Carts etc. Measures: 3/4" W X 29.28" L</p>		
<b>875-203592</b> NEW	Comet 203592	
<p><b>Torque Convert Belt</b> Fits Torque Converters found on Mini-Bikes, Go-Carts etc. Measures: 3/4" W X 30.25" L</p>		
<b>875-203581</b> NEW	Comet 203581A	
<p><b>Torque Convert Belt.</b> Fits Torque Converters found on Mini-Bikes, Go-Carts etc. Measures: 3/4" W X 30.25" L</p>		
<b>875-203582</b> NEW	Comet 203582	
<p><b>Torque Convert Belt</b> Also fits Bristers rear mount. Fits Torque Converters found on Mini-Bikes, Go-Carts etc. Measures: 3/4" W X 31.23" L</p>		
<b>875-203583</b> NEW	Comet 203583A	
<p><b>Torque Convert Belt</b> Also replaces G776 Belt S20 884-95F, fits Carter Bros. Fits Torque Converters found on Mini-Bikes, Go-Carts etc. Measures: 3/4" W X 31.23" L</p>		
<b>875-203593</b> NEW	Comet 203593A	
<p><b>Torque Convert Belt</b> Fits Torque Converters found on Mini-Bikes, Go-Carts etc. Measures: 3/4" W X 31.23" L</p>		
<b>875-203584</b> NEW	Comet 203584A Comet 884100	
<p><b>Torque Convert Belt</b> Fits Torque Converters found on Mini-Bikes, Go-Carts etc. Measures: 3/4" W X 33.187" L</p>		

Part#	O.E.M	Application
<b>875-203585</b> NEW	Comet 203585A	
<p><b>Torque Convert Belt</b> Fits 340 series clutches. Fits Torque Converters found on Mini-Bikes, Go-Carts etc. Measures: 3/4" W X 33.78" L</p>		
<b>875-203586</b> NEW	Comet 203586A	
<p><b>Torque Convert Belt</b> Fits 340 series clutches. Fits Torque Converters found on Mini-Bikes, Go-Carts etc. Measures: 3/4" W X 35.14" L</p>		
<b>875-368</b> NEW	Comet 203597 Comet 203597A Murray 203597 Murray 37X125 Murray 37X98	
<p><b>Cogged belt</b> Fits Torque Converters found on Mini-Bikes, Go-Carts etc. Replaces Comet# 203597A. Fits Comet 30 series and Murray Go-Karts. Size: 3/4" W X 35-3/8" L</p>		
<b>875-203785</b> NEW	Comet 203785A Manco 12346	
<p><b>Torque Convert Belt</b> 40 Series. Fits Comet, Manco and Carter Bros. G721. Fits Torque Converters found on Mini-Bikes, Go-Carts etc. Measures: 7/8" W X 33.87" L</p>		

## Steering Wheel - Universal

<b>285-482</b>	Steering Wheel	
<p><b>Steering Wheel for Go-Carts.</b> Size: 10" diameter steering wheel with a 1/2" centre hole, (3) 1/4" mounting holes, 1-3/8" centre to centre.</p>		

## ATV Spark Plug

<b>690-400</b>	NGK# C7HSA	
<p><b>Spark Plug - NGK</b> Used on many Chinese built ATV's. Replacement for NHSP LD Torch A7RTC 044 &amp; 041. (Priced and Sold Individually)</p>		